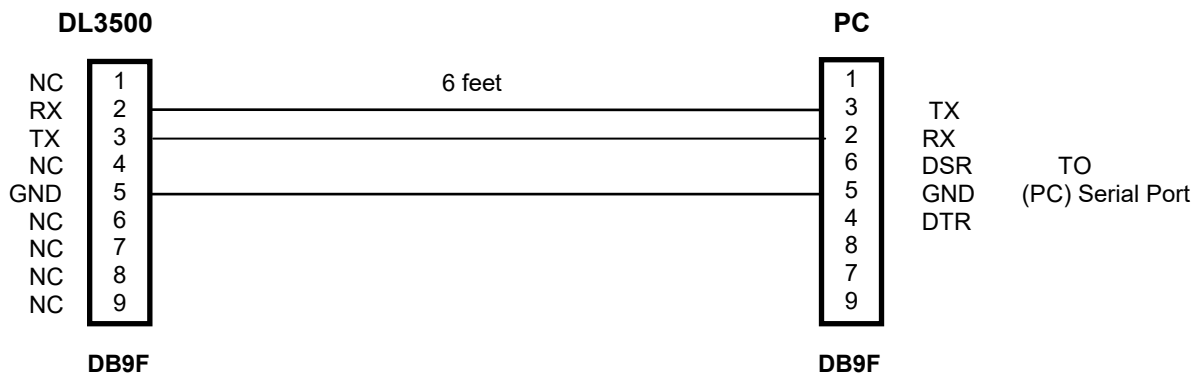


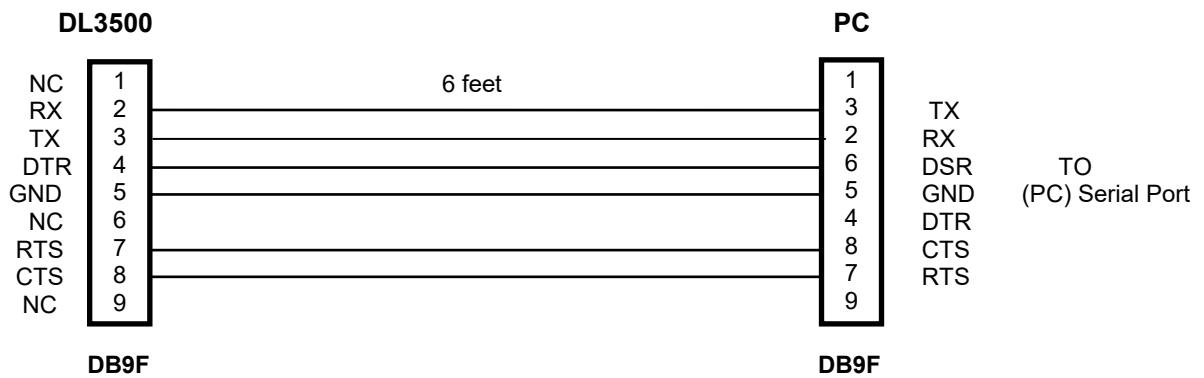


DL3500-DH+/DH-485 CABLE WIRING

RS232 TO PC without Handshaking - CONNECTS 9 PIN SERIAL TO 9 PIN (PC) SERIAL PORT



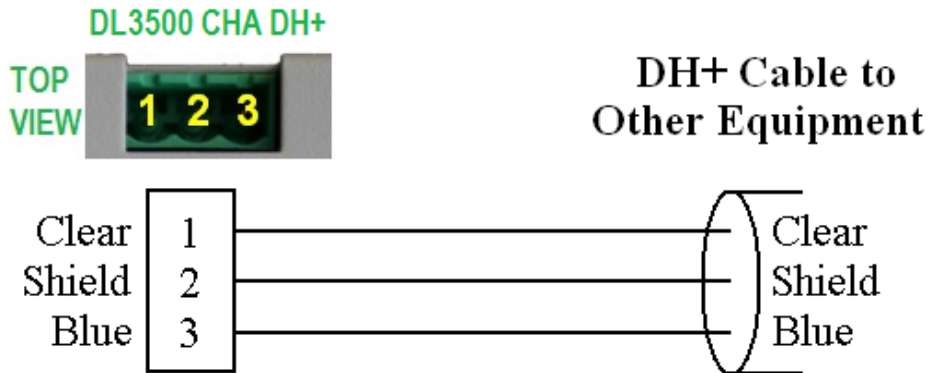
RS232 TO PC with Handshaking - CONNECTS 9 PIN SERIAL TO 9 PIN (PC) SERIAL PORT



CHANNEL A Connections

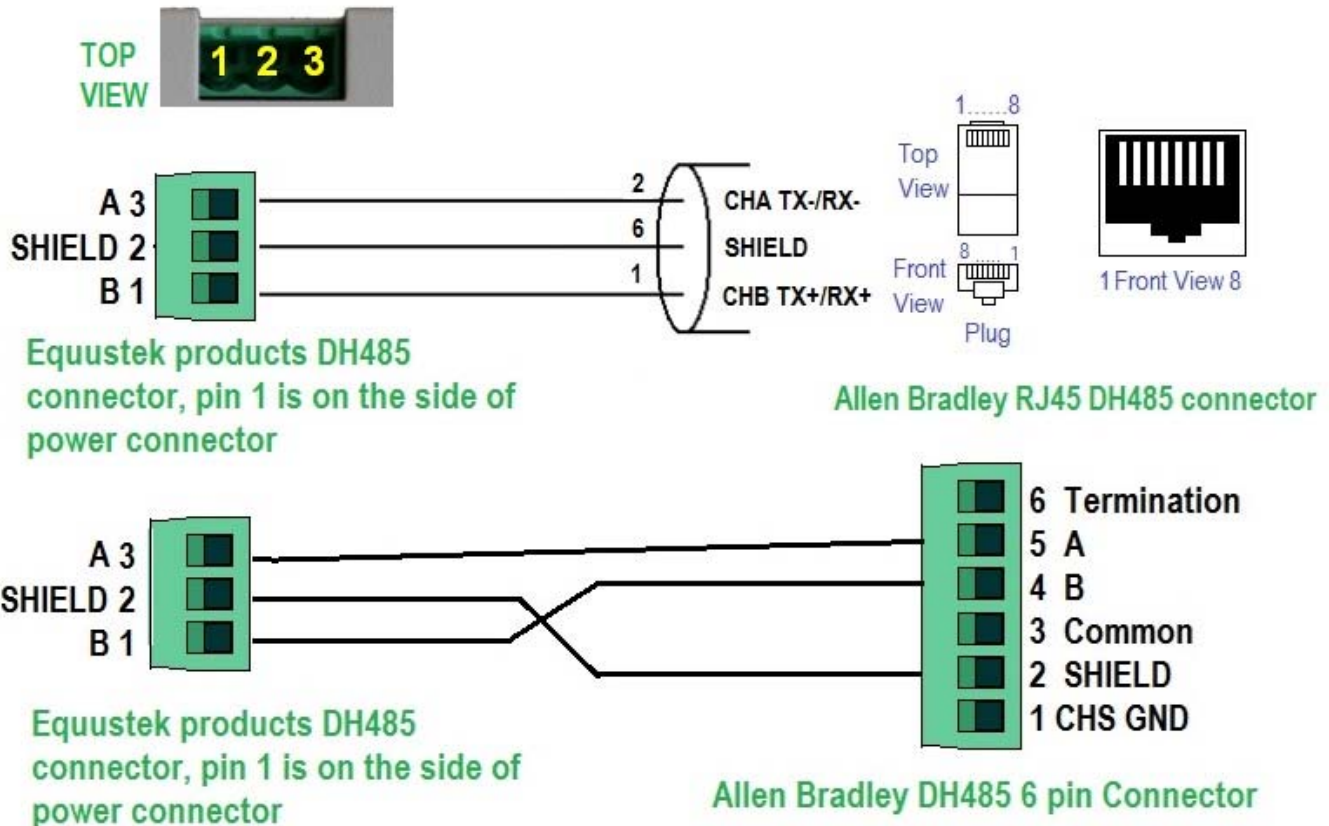
DL3500-CHA DH+

Other DH+ Nodes



NOTE: Phoenix Connectors are numbered from Left to Right looking at the TOP

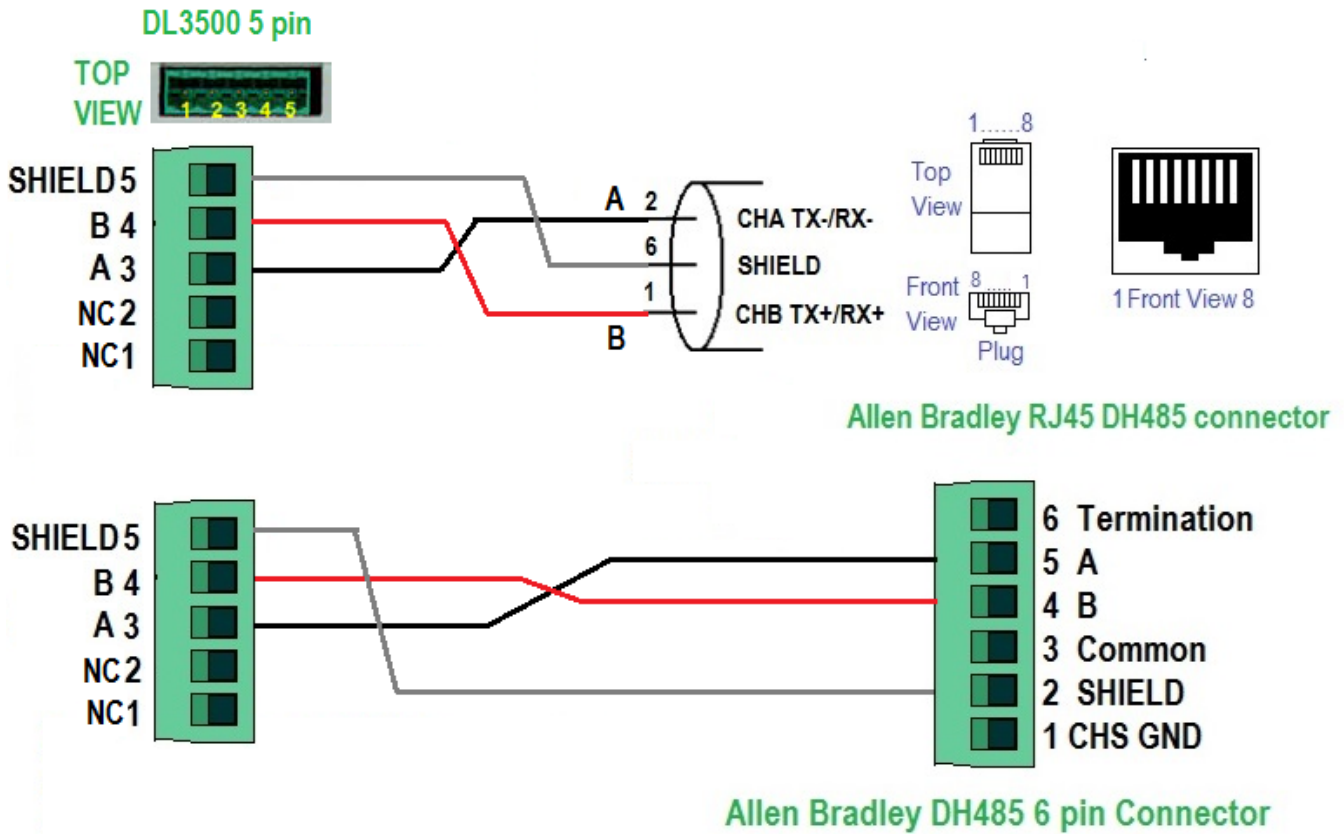
DL3500-CHA DH-485



DL3500 CHA DH485 3 pin connector side

Allen Bradley DH485 Side

DL3500 DH+ & DH485 Combined unit, DH485 5 pin connector



DL3500 DH485 5 pin connector side

Allen Bradley DH485 Side